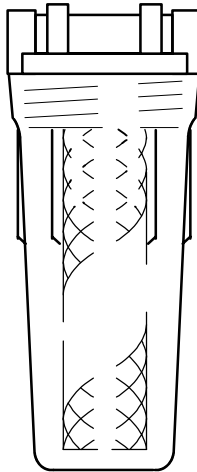
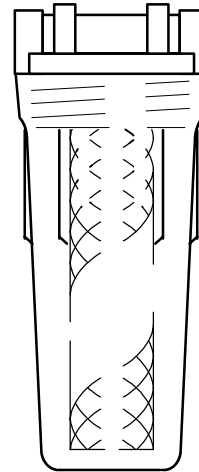


Model Illustrations

WFA12-S5, S30, S60



WFA12-T5



Selection Information

1. The Sediment Removal units can handle up to 6 GPM, 125 PSI and are available in 5, 30 and 60 micron filter ratings. *Five (5) micron elements trap fine particles, sixty (60) micron elements trap larger particles but have a longer life.*
2. The Taste and Odor Removal unit can handle up to 3 GPM, 125 PSI and is rated at 5 microns.

Special Notes

1. Sediment filters (WFA12-S5,S30 & S60) remove rust, sand, algae and other suspended solids.
2. The Taste and Odor filter (WFA12-T5) removes rust, sand, algae, suspended solids and also features an activated carbon core to remove contaminants which cause undesirable taste and odor.
3. Both units above feature the same housing. Only the filter element and unit label are different.
4. These units are for 'cold' drinking water filtration and are not intended to be used with 'hot' water, sea (salt) water, microbiologically unsafe water or water of unknown quality.
5. For additional information and availability, contact customer service at: (800) 344-3286, 6 AM to 5 PM, Pacific Time.

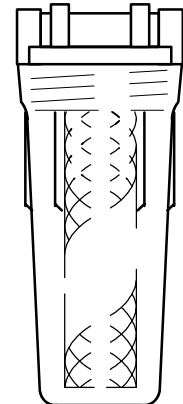
Specifications

BASIC MODELS	WFA12-S5,S30,S60	WFA12-T5
Fluid Filtered Filter Element	Drinking water WFC-S5, S30, S60	Drinking water WFC-T5
Maximum Flow Capacity Gallons per minute (GPM) Liters per minute (LPM)	6 23	3 12
Maximum Pressure Port Size, Inlet / Outlet	125 3/4"-14 NPTF	125 3/4"-14 NPTF
Height	12.50	12.50
Diameter	318	318
Weight (dry)	5.25 133.4	5.25 133.4
	3.1 1.4	3.1 1.4
Operating Temperature (cold water only)	+33° / +100° F / +0.6° / +38° C	

SPECIFICATIONS are found on Drinking Water Filter Series introduction page.

How to Order -The example below illustrates how the part numbers are constructed.

WFA12	-S30
For cold water filtration only. WFA12 is the basic model and includes mounting head, cartridge and transparent sump. Flow Rates: with T5 element: 3 GPM/180GPH, all others: 6 GPM/360 GPH.	<u>Filtration / Removal Type Rating.</u> Specify one: -T5 for 5 Micron / Taste & Odor. -S5 for 5 Micron / Sediment. -S30 for 30 Micron / Sediment. -S60 for 60 Micron / Sediment.



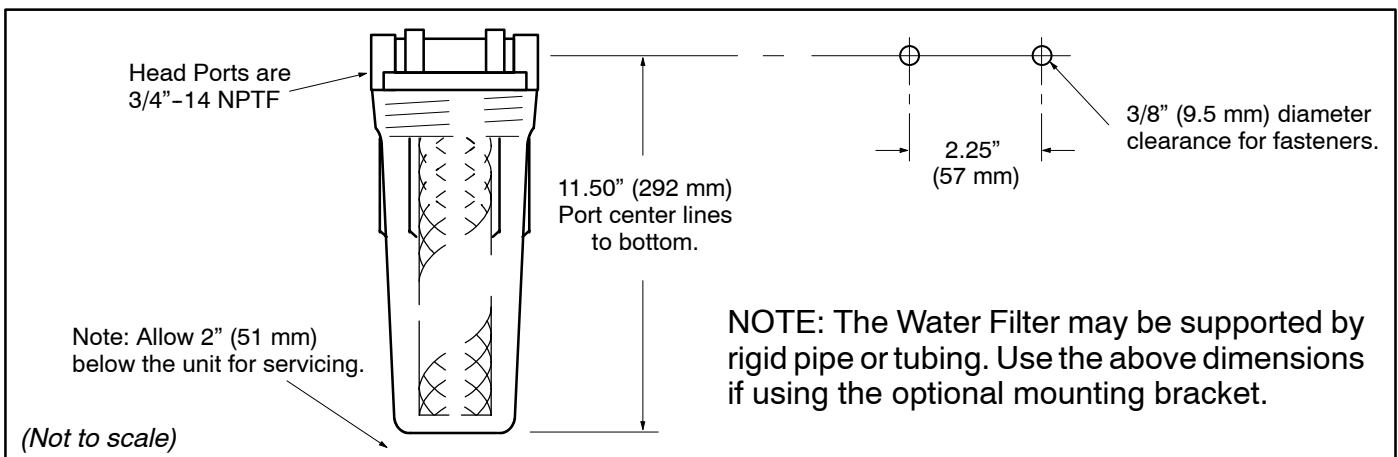
2

Replacement Cartridges -Service cartridges DO NOT include head seal.

WFC-T5	5 Micron, Taste and Odor Removal Cartridge
WFC-S5	5 Micron, Sediment Removal Cartridge
WFC-S30	30 Micron, Sediment Removal Cartridge
WFC-S60	60 Micron, Sediment Removal Cartridge

WFA12-T5
WFA12-S5
WFA12-S30
WFA12-S60

Mounting Hole Pattern -Refer to Drinking Water Filters introduction page for filter dimensions.



Parts List The circled number corresponds to the item number shown in the parts list below.

Item/Part No.	Description	Case Qty.
1. WFH12	Water Filter Head/Sump (new design)	6
2. WF-037	Head/Sump Seal (new design)	1
3. WFC-T5	5 Micron Taste and Odor Cartridge	20
	Maximum flow rate is 3 GPM / 180 GPH	
WFC-S5	5 Micron Sediment Cartridge	20
	Maximum flow rate is 6 GPM / 360 GPH	
WFC-S30	30 Micron Sediment Cartridge	20
	Maximum flow rate is 6 GPM / 360 GPH	
WFC-S60	60 Micron Sediment Cartridge	20
	Maximum flow rate is 6 GPM / 360 GPH	
4. WF-035	Optional Mounting Bracket Kit	1
5. WF-039	Optional Bowl Wrench (new design)	1
6. WF-010	Optional Bowl Wrench (old design)	1
7. WF-009	Head/Sump Seal (old design)	1

For parts not listed, call Racor customer service: 800/344-3286, PT.